

MC35 IO-Link + Acoustic



| | |
|------------------|-------------------|
| Part No.: | 241.510.01 |
| Series: | MC35 |



| MECHANICAL DATA | |
|-----------------------------|-------------------|
| Height | 64 mm |
| Diameter | 35 mm |
| Materials | PC |
| Dome colour | Trancluent |
| Housing colour | Black |
| Protection category | IP65 IP69K |
| Connection | M12 socket 4-pole |
| Type of fixing | Built-in mounting |
| Working temperature minimum | -20°C |
| Working temperature maximum | +50°C |
| Weight with packaging | 59 g |
| Product weight | 34 g |
| IK-Code (IEC 62262) | IK06 |

| ELECTRICAL DATA | |
|-----------------------------|--------------------------------|
| Operating voltage | 18-30V |
| Operating voltage type | DC |
| Operating voltage tolerance | +/- 0% |
| Rated operational voltage | 24 VDC |
| Rated operational current | 35 mA |
| Rated inrush current | 350 mA |
| Protection class | Protection class 3 |
| Pollution degree | 3 In the connection area: 2 |
| Overtoltage category | I |
| insulation voltage | Ui = 50V / Uimp = 330V |
| connectivity | IO-Link |

| OPTICAL DATA | |
|----------------------|-----------------------|
| Light source | LED |
| Light colour | MC >1.000.000 colours |
| Optical signal image | multi function |
| Flash frequency | Configurable |
| Service life optical | 50,000 h minimum |

| ACOUSTIC DATA | |
|-----------------------------|------------|
| Volume (max) at 1m distance | 80 dB |
| Acoustic signal image | Multi-tone |
| Number of tones | 10 tone |

! For additional installation and mounting information, refer to the appropriate user guide at www.werma.com. This printed copy is for information only and is subject to alteration.

MC35 IO-Link + Acoustic

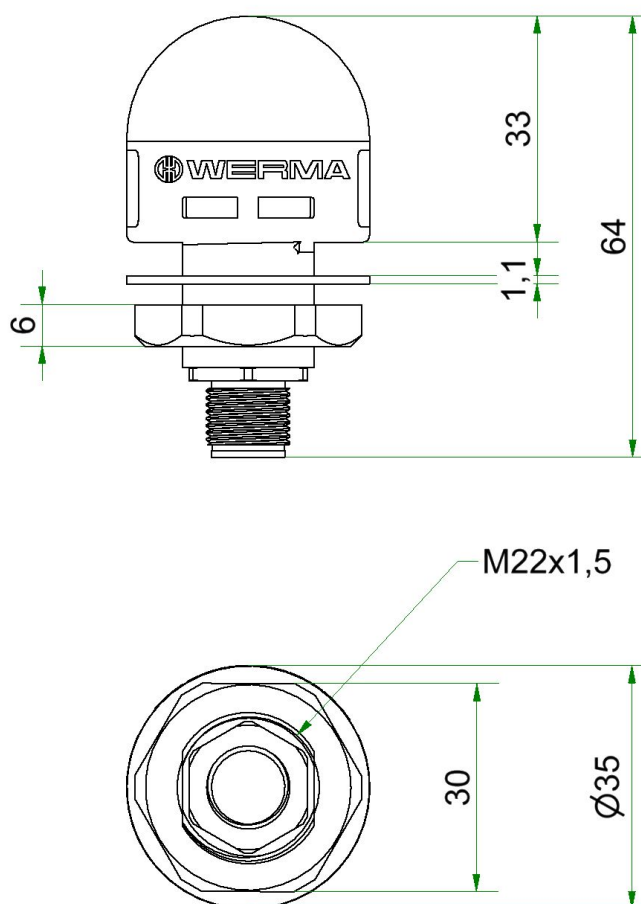
| | |
|-----------------------|---------------------|
| Volume adjustable | Software controlled |
| Acoustic service life | 5,000 h minimum |

| APPROVAL DATA | |
|-------------------------------|-----------------------|
| Conforms with CE | Yes |
| Conforms with RoHS directive | Yes |
| WEEE | Yes |
| Conforms with RED directive | No |
| Conforms with ATEX-directive | No |
| Conforms with CCC-Ex | No |
| Conforms with CCC | No |
| Conforms with UL | cULus |
| UL Type Rating | Type 4X |
| Conforms with FCC | No |
| Conforms with ISED | No |
| EAC certificate available | No |
| Conforms with UKCA (Importer) | Yes (WERMA (UK) Ltd.) |
| Conforms with CMIM | No |
| Conforms with AS-I | No |
| ICAO Certification | No |
| Conforms with DNV | No |
| Conforms with RoHS CN | 10 years |
| Conforms with VdS | No |
| MTTFd-value [years] | 475 |

! For additional installation and mounting information, refer to the appropriate user guide at www.werma.com. This printed copy is for information only and is subject to alteration.

MC35 IO-Link + Acoustic

DRAWING



For additional installation and mounting information, refer to the appropriate user guide at www.werma.com. This printed copy is for information only and is subject to alteration.